

- ✓ **Easily readable digital display:**
  - Large
  - Bright
- ✓ **Programmable**
- ✓ **Easily selectable units**
- ✓ **Display range can be set**
- ✓ **Input:**

current	0/4...20 mA
voltage	0...10 V
frequency	0...8 kHz
- ✓ **Switching output**
- ✓ **Loop-through function:**
  - analogue output
  - serial interface
- ✓ **Standard housing 96x48mm**



**Plenty of connections, flexible display and copious outputs are the main features of the SCE digital display instrument.**

The SCE-020 converts standard analogue signals (in the ranges 0...10 V up to 0/4...20 mA) into clearly understandable measurement values/units.

Consequently with the SCE-020, any sensor required (pressure, temperature, torque, length, etc) can be easily displayed.

#### **Functions**

The display is easily readable from a considerable distance. To show various measurement values, the desired measurement range as well as the decimal point can be freely set in a user-friendly manner.

Retained units are located on a separate luminescent surface.

Power supply can vary from 11...30 VDC.

By means of the potential-free switching output, a settable limiting value can be monitored.

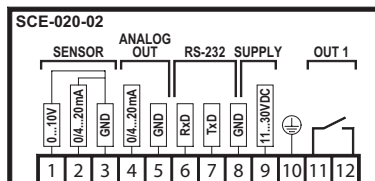
#### **Loop-through function**

The analogue output or the RS232 serial interface can forward the signal to an appropriate periphery.

If various measurement values require to be shown simply and flexibly, then the SCE-020 display instrument comes to the fore.

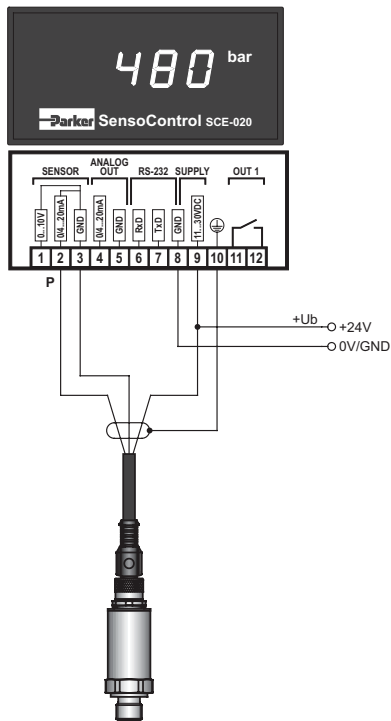
Input	
measurement error	± 0,2 % of the display ± 1 digit
measuring rate	5 ms
	limiting value scanning every 5 ms
measurement range	freely selectable (programming)
Display	
display	4-figure 7-segment LED
display range	-999...9999
digit height	13 mm
decimal point	freely programmable
dimensions display	selectable by attaching a dimension sticker onto the luminescent surface provided
Environmental conditions	
working temperature range	0...+60 °C
storage temperature range	-25...+80 °C
relative humidity	< 80 %
protection class	IP44 nach DIN 40050
Power supply	
auxiliary energy	11...30 VDC
current consumption	approx. 100 mA
Housing	
material	PC ABS black self-extinguishing to UL94V0, for panel and console mounting
frontal dimensions	96x48 mm
mounting depth	131 mm
connector	12-pole terminal strip with wire protection, max. 1,5 mm <sup>2</sup>
usage location	any
weight	approx. 200 g

SCE-020-2	
input	0...20 mA
	4...20 mA
	or 0...10 V
input resistance	0...20 mA = 150 Ω
	4...20 mA = 150 Ω
	0...10 V = 67 KΩ
analogue output	0...20 mA
	4...20 mA
working resistance of analogue output	≤ 500 Ω
interface	RS-232C
limiting value	potential-free normally open contact 250 V/5 A max.

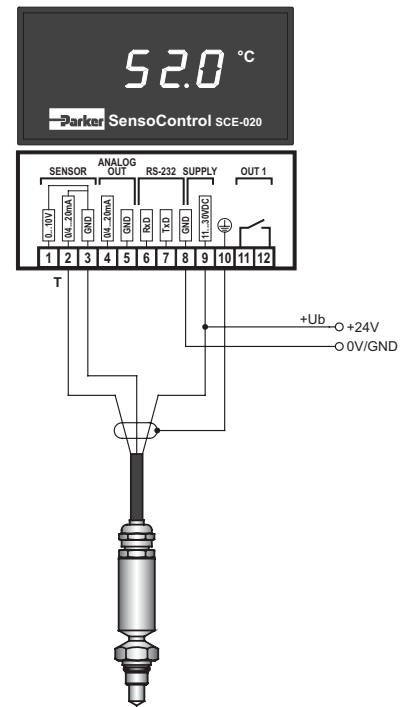


SCE-020 Connection designations

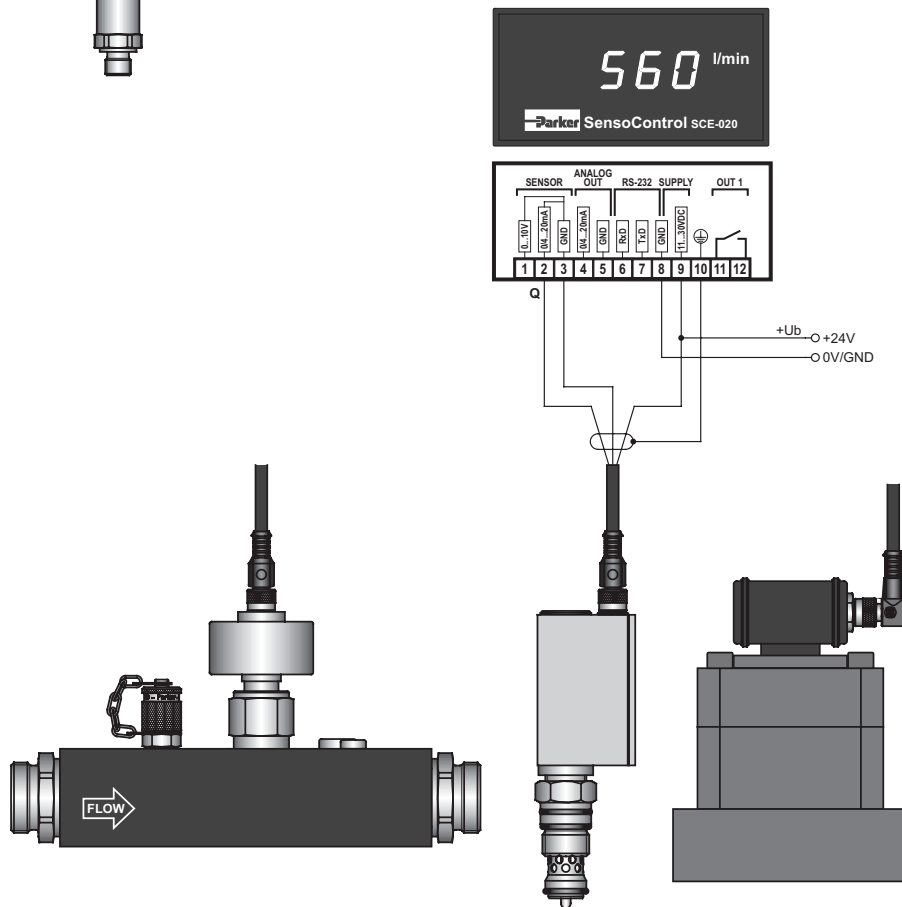
**SCE-020-02**  
SCP Pressure sensor

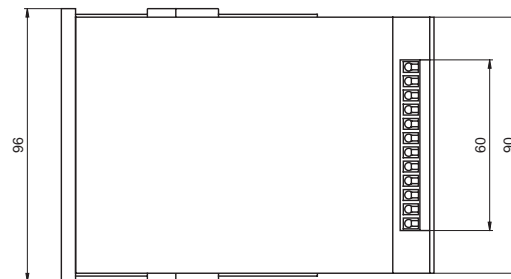
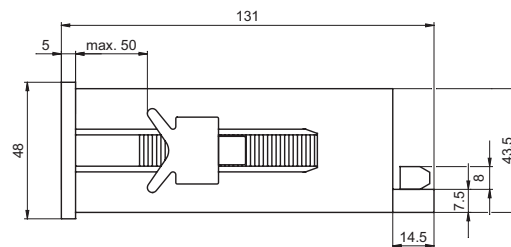
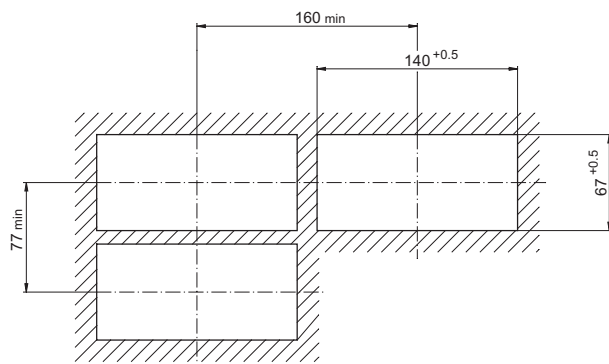


**SCE-020-02**  
SCT Temperature sensor



**SCE-020-02**  
Flow rate sensor





**Order codes**

**SCE-020 input 0/4...20 mA/0...10 V**

- analogue output
- + 1 switching output
- + RS232C serial interface

**SCE-020-02**

**Accessories**

- data cable SCE – PC
- power supply unit 115/230 VAC

**SCK-300-02-31**

**SCSN-410**